

LED POWER SUPPLY



SPECIFICATIONS

- The power supply provides stable current and voltage output for the light strip
- Equipped with overload protection function, short circuit protection function and temperature protection function
- Efficient energy conversion, reducing energy waste and heat generation
- Multiple styles of power supplies, suitable for different types of light strips
- Meet safety standards

Illumination of commercial spaces

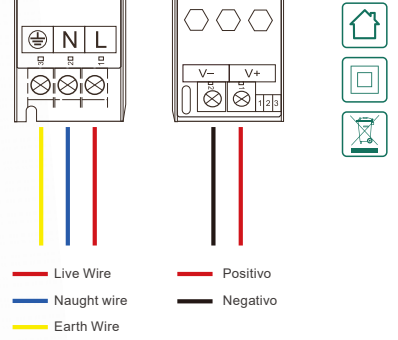


KOSOON®

The light strip power supply is a device that supplies electrical power to the light strip. It has some specific features to ensure the power supply and control of the light strip.

The orange markings are clickable

PF **0.5**
IP **20**



LED Power Supply

Power 60W/100W/150W/200W/300W
 PF 0.5
 Dimensions 149x28.6x49.4mm
 186.3x28.6x49.4mm
 194.5x28.6x58.6mm
 207x28.6x58.6mm
 249x28.6x58.6mm
 Voltage input 220-240V
 Warranty 3 Anni
 Certification CE, RoHS

	SKU	Power	Input voltage	I(MAX)	Dimensions
	SA01	60W	24V	2.5A	149x28.6x49.4mm
	SA02	100W	24V	4.2A	186.3x28.6x49.4mm
	SA03	150W	24V	6.3A	194.5x28.6x58.6mm
	SA04	200W	24V	8.3A	207x28.6x58.6mm
	SA05	300W	24V	12.5A	249x28.6x58.6mm
	SA07	100W	12V	8.4A	186.3x28.6x49.4mm
	SA08	200W	12V	16.6A	207x28.6x58.6mm

The orange markings are clickable



LED Power Supply



LED Power Supply