

SCHEMA TECNICA

Features:

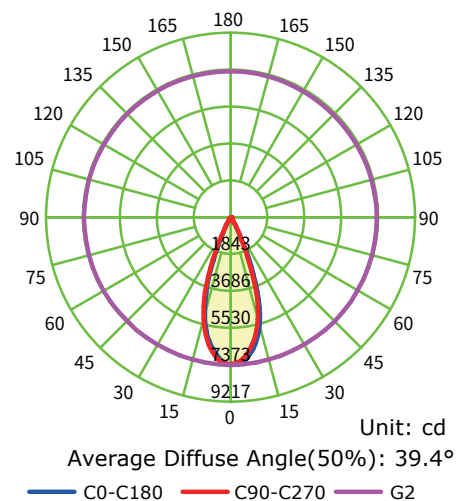
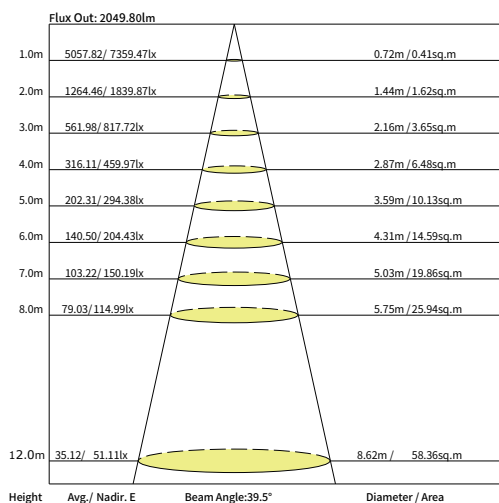
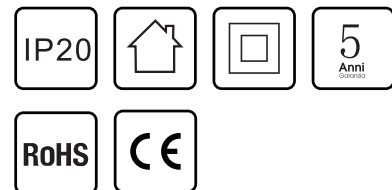
- The angle of the light can be adjusted, achieving the best result.
- It uses a sliding mechanism that provides a more stable light.
- Ideal for home, ufficio, stores, bars, restaurants, etc.

Model : TRL012

Technical Parameters:

Model	TRL012
Power	30W
PF	0.9
CCT	3000K/4000K
Lumen	(T1201B 3000K) 2270 lm (T1202B T1203B 4000K) 2390 lm / 3020lm
Corner	36°
UGR	≤90
Size	(T1201B/T1202B) Ø65*L175mm (T1203B) Ø70*L140mm
Color	White
Input Voltage	220V-240V
iP protection	IP20
Warranty	5 Years
Certification	CE, RoHS

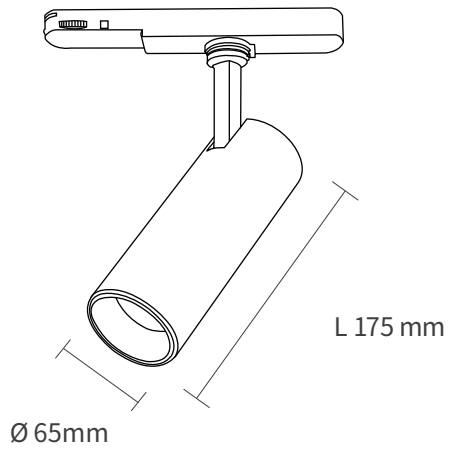
Product Image:



Recess size:

TRL012-30W

(T1201B/T1202B)



(T1203B)

