

DATA SHEET

Features:

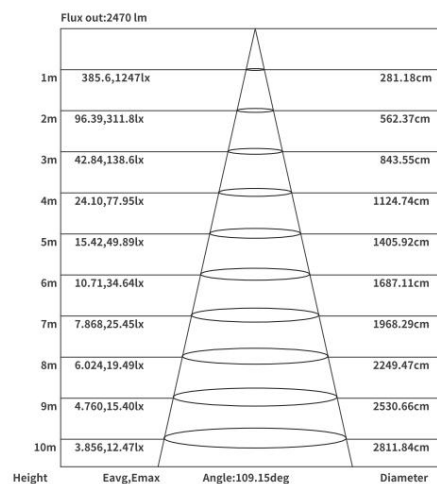
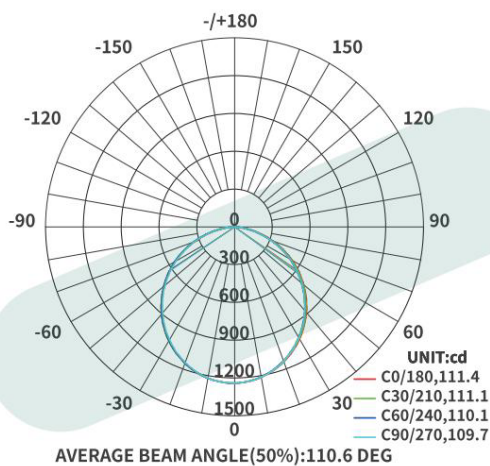
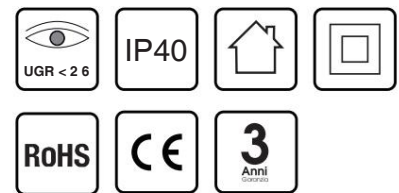
Model: SLL003-A

- The lighting fixture is made of non-insulating aluminium.
- It can be modulated in different ways according to your needs.
- Ideal for exhibitions, galleries, bars, cafés, restaurants and other commercial premises.

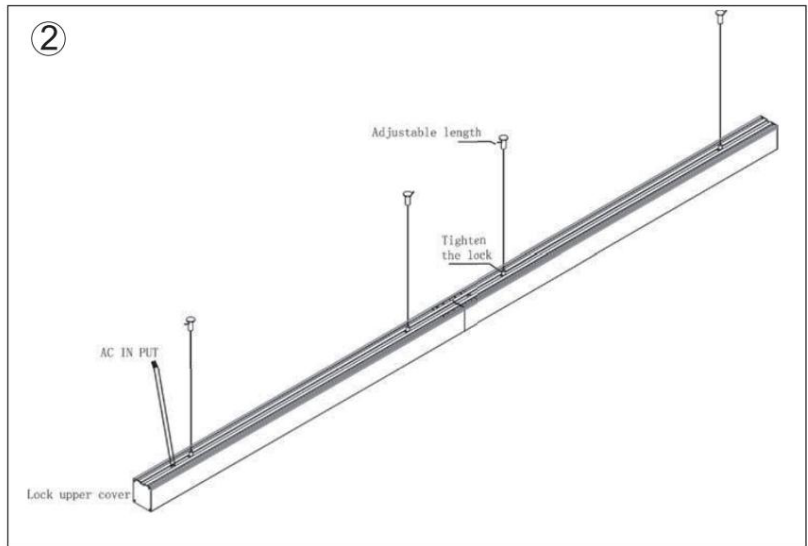
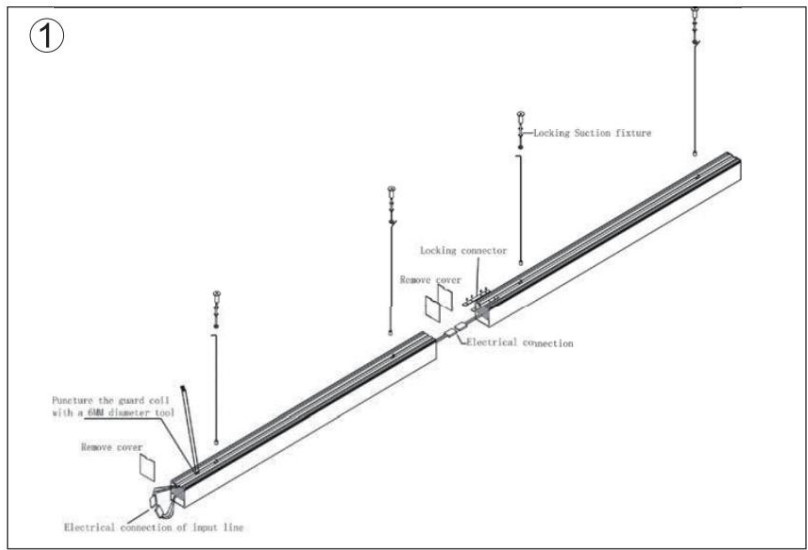
Technical Parameters

Model	SLL003-A
Power	40W
PF	0.9
CRI	≥ 80
CCT	3000K / 4000K
And	99lm/w / 117.5lm/w
Luminous Efficiency	(3000K) 4300 lm / 4300 lm (4000K) 5000lm / 4700lm
Corner	110°
UGR	<26
Dimension	L1200*W 50*H 75mm
Color	White / black
Input voltage	220V-240V
IP protection	IP 40
Warranty	3 years
Certication	CE , RoHS

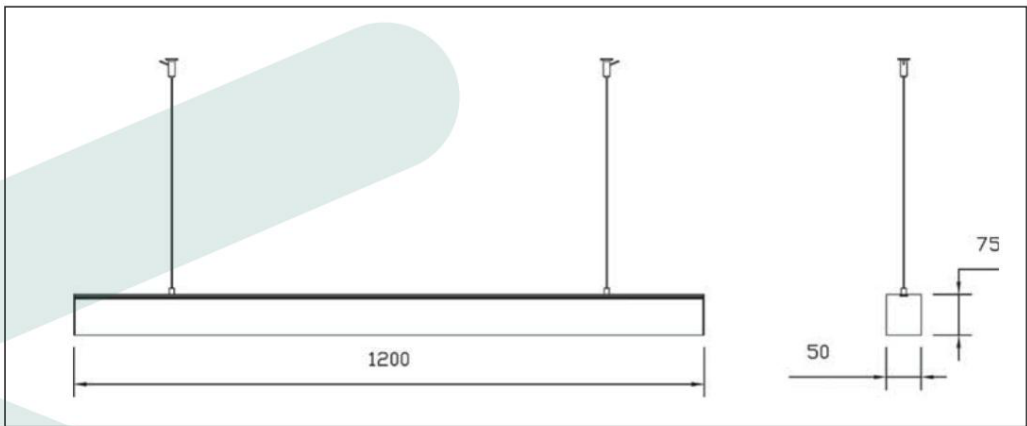
Product Image :



Technical design :



INSTALLATION



DATA SHEET

Features:

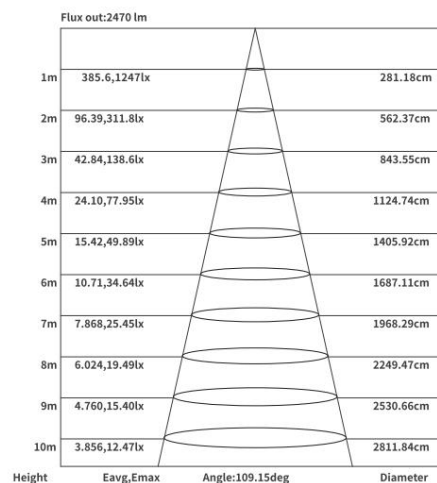
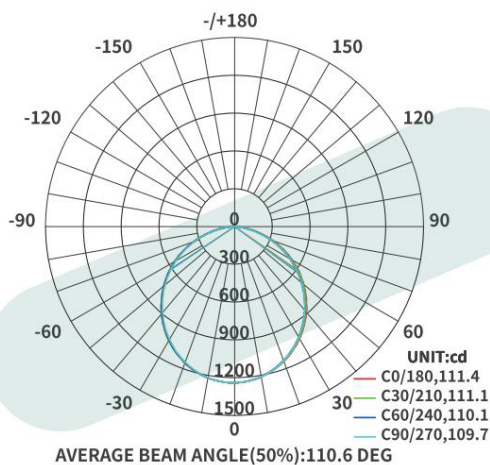
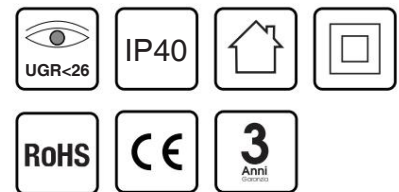
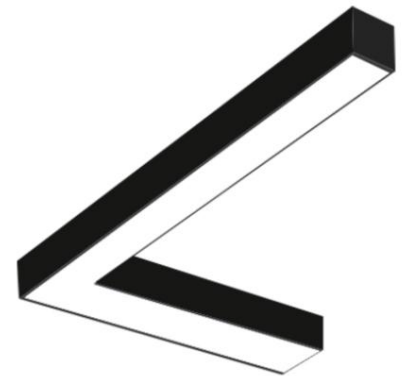
Model: SLL003-A

- The luminaire is made of non-insulating aluminium.
- It can be modulated in different ways depending on your needs.
- Ideal for exhibitions, galleries, bars, cafes, restaurants and other commercial premises.

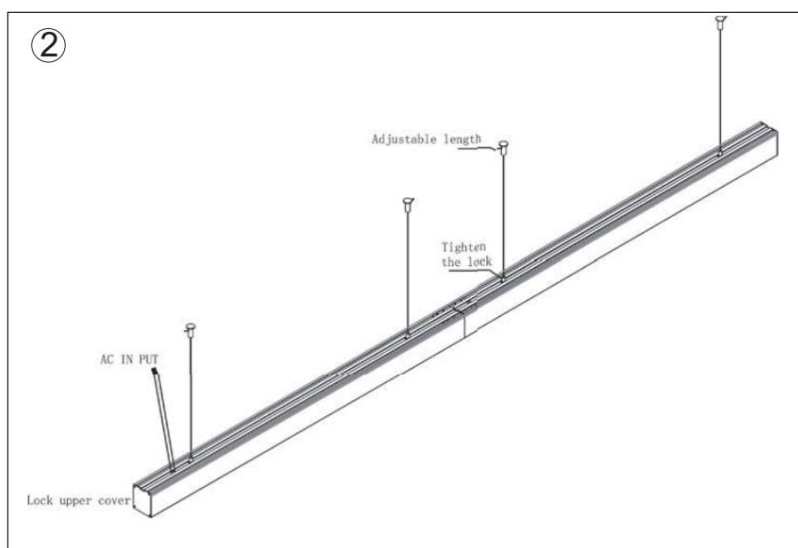
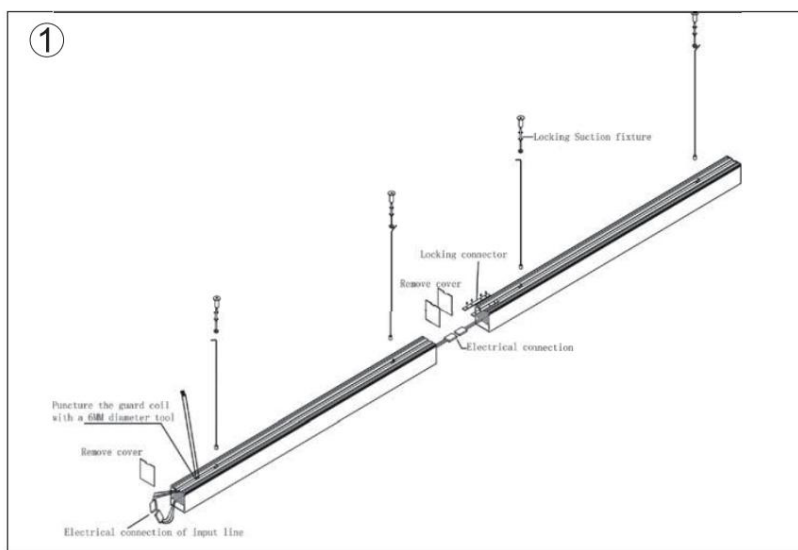
Technical Parameters:

Model	L0211B/L0211N
Power	40W
PF	0.9
CRI	≥ 80
CCT	4000K
Luminous efficiency	117.5lm/w
Lumens	5000 lm / 4700 lm
Corner	110°
UGR	<26
Dimensions	L600+600*W50*H75mm
Color	White / black
Input Voltage	220V-240V
IP protection	IP40
Warranty	3 years
Certification	CE, RoHS

Product Image :



Technical design :



INSTALLATION:

