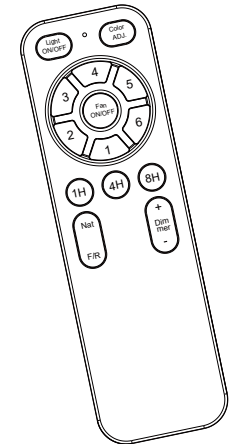
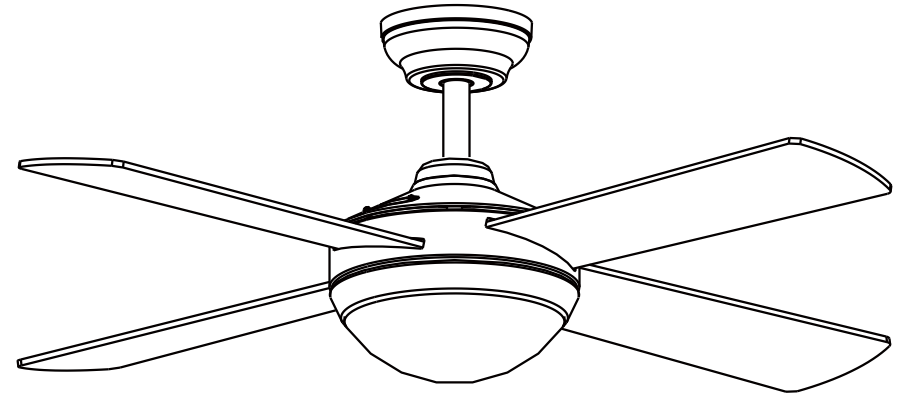


FAN LIGHT



FAN101
FAN102

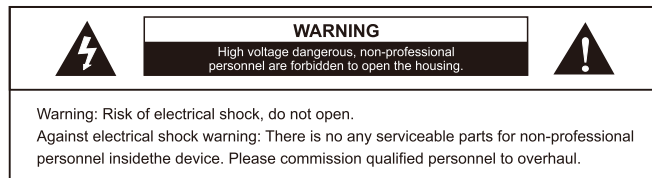
USER MANUAL

Please read this user manual carefully before use,
and keep it for future reference.

Table of Content

1. Safety precautions-----	2
2. Parts & Accessories-----	3
3. Fix hanger bracket-----	4
4. Assembly blade-----	7
5. Downrod,canopy & coupling cover installation-----	8
6. Fan mounting-----	9
7. Power supply wire connection-----	10
8. Installing the light shade-----	11
9. Remote control operation-----	12
10. Information for licensed electrician and fan owners-----	14
11. Important facts-----	15

WARNING



Uninsulated "Dangerous high voltage" inside the device. To avoid electrical shock, non-professional personnel are forbidden to open the housing.



Security components and parts must be replaced according to the original demand with this sign in the machine. There is no any serviceable parts for non-professional personnel inside the device. Please commission qualified personnel to overhaul.

Warning

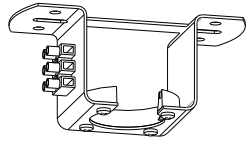
This product is designed to use only those parts supplied with this product and / or accessories designated specifically for use with this product. Using parts and / or accessories not designated for use with this product could result in personal injury or property damage.

1. Safty precautions

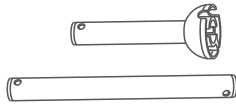
Installation must be carried out by a qualified installer, users are forbidden to install.

1. Turn off the power before the assembly and disassembly. To avoid electrical shock, assembly must be operaed accounting to the order from ground lead, pull line to power line, disassembly from power line, null line to ground lead.
2. Ensure that all screws have to be locked in the course of installation.
3. Fan running, nothing can touch blades in avoiding risks.
4. The appliance must be permanently connected to the electricity supply through a double pille switch having a contact separation of at lease 3mm in all poles.
5. Do not connect ceiling fan to any dimmer switch or regulator.
6. The ceiling fan must be mounted at a min, height of 8.2 feet / 2.5m of clearance from the floor and 3 feet / 1m from the wall to the blade.
7. Do not install at areas / place near / at
 - a) chemicals and alkali
 - b) flammable area such as gas cooker
 - c) oily places
 - d) wet and high humidity area such as shower room
 - e) high vibration / impact and continuously expose to direct wind
8. Do not place any objects in the path of the blades.
9. When all electrical connections are done, store all wires neatly.
10. Make sure that screws and connection are tighten till snug.
11. This appliance can be used by children aged from 8 years and above and persons with reduced physical, sensory or mental capabilities or lack of experience and knowledge if they have been given supervision or instruction concerning use of the appliance in a safe way and understand the hazards involved. Children shall not play with the appliance. Cleaning and user maintenance shall not be made by children without supervision
12. If the supply cord is damaged, it must be replaced by the manufacturer, its service agent or similarly qualified persons in order to avoid a hazard.
13. Children shall not play with the appliance.
14. Cleaning and user maintenance shall not be made by children without supervision.

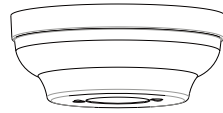
2. Parts & Accessories



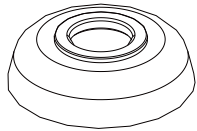
1 Hanger Bracket 1pc



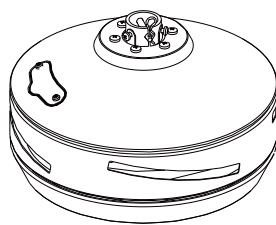
2 Downrod (5 inches & 10 inches; 5 inches one with hanger ball)



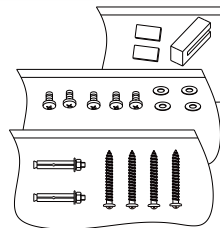
3 Canopy 1 pc



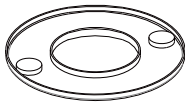
4 Coupling Cover 1pc



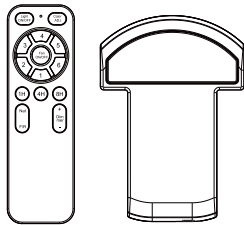
5 Motor Assembly 1 pc



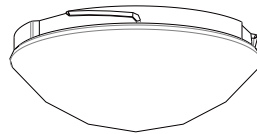
6 1 x Washers & Screw Package



7 Magnet cover 1 pc



8 Remote Control 1 set



9 Light Shade 1 pc



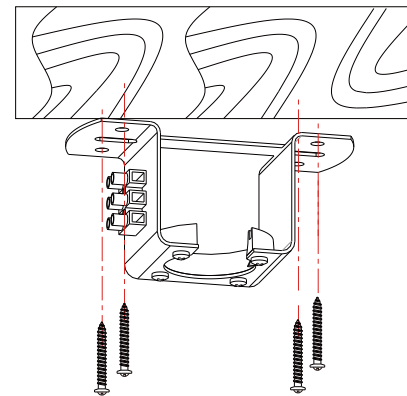
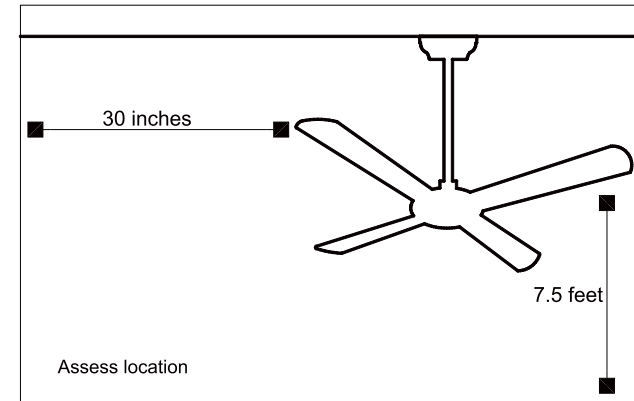
10 Blade 4 pcs

Note: If there is no shortage, you can install now.

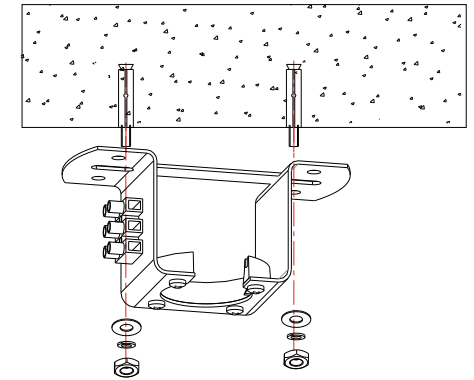
3. Fix hanger bracket

⚠ WARNING

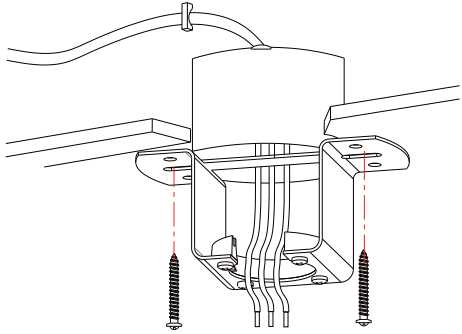
- Make sure electricity is turned off at the main power box before commencing work. Turn off the power by removing fuse or turning off circuit breaker before installing the fan and replacing the lamps.
- **The lowest point on the fan blade must be at least 2.3 (7.5ft) metres from the floor.**
- Make sure that ceiling joists are strong enough and of adequate size to support the weight of the fan of about 35kg.



Secure mounting bracket to ceiling joist or suitable piece of timber inserted between the ceiling joists. The mounting bracket should be attached with four wood screws and washers supplied.

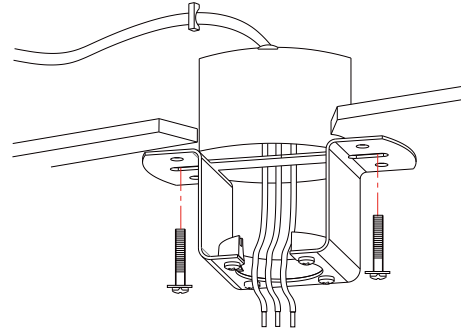


Concrete ceiling, According to the length of expansion screws, bore holes by percussive drills with Ø8mm drill. After that, fix the mounting bracket on ceiling by expansion screws.



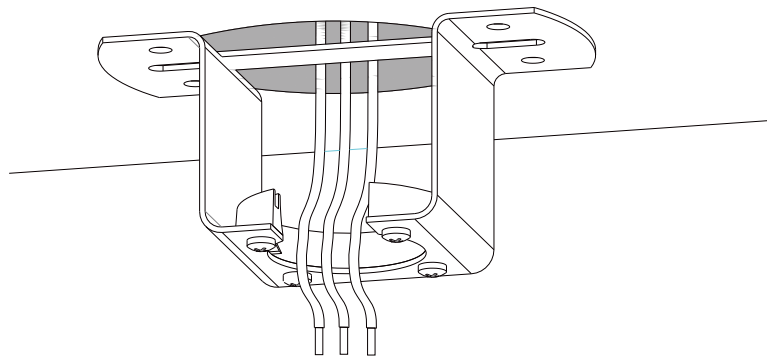
USE WOOD SCREW

(Included) when securing to support structure with approved electrical outlet box. Drill 9/64" pilot holes in support structure to aid in securing ceiling bracket with hardware found in the screw bag.

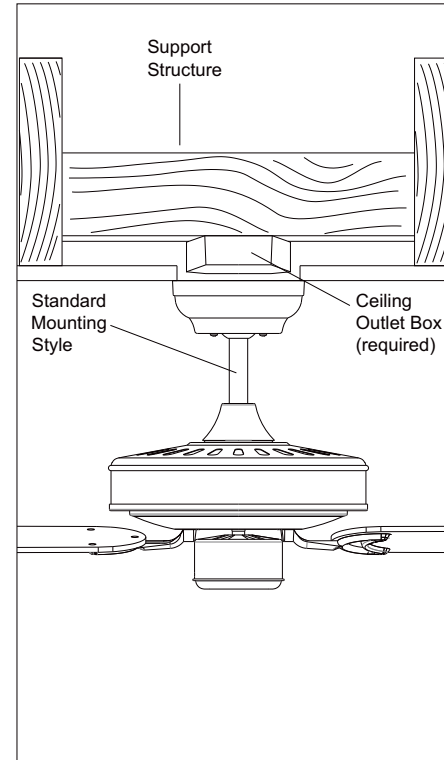


USE MACHINE SCREW

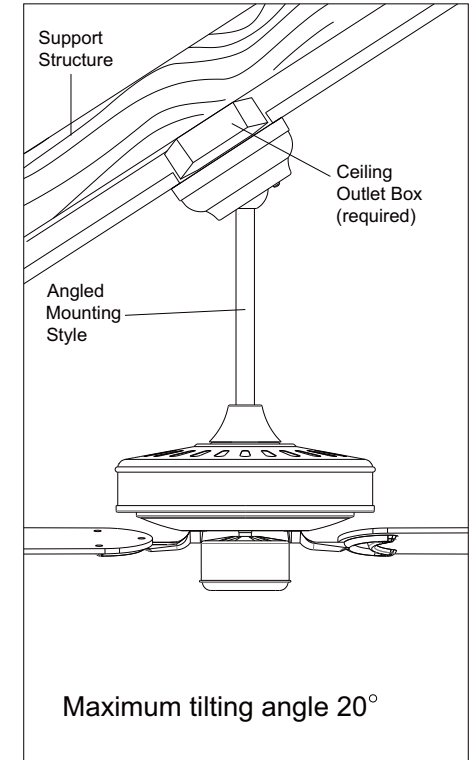
(Provided with outlet box) when securing to existing ceiling fan-rated outlet box. Make sure it is securely installed and is acceptable for fan support of 31.8kg (70 lbs) or less.



If you are installing the fan on an existing ceiling electrical junction box, please ensure it is rated for fan use. Mount the Hanger Bracket to the junction box as shown with junction box bolts.



Use standard mounting or low-profile mounting to hang the fan from a flat ceiling.

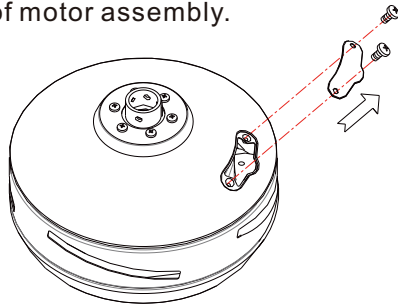


Use Angled mounting to hang the fan from a vaulted or angled ceiling.

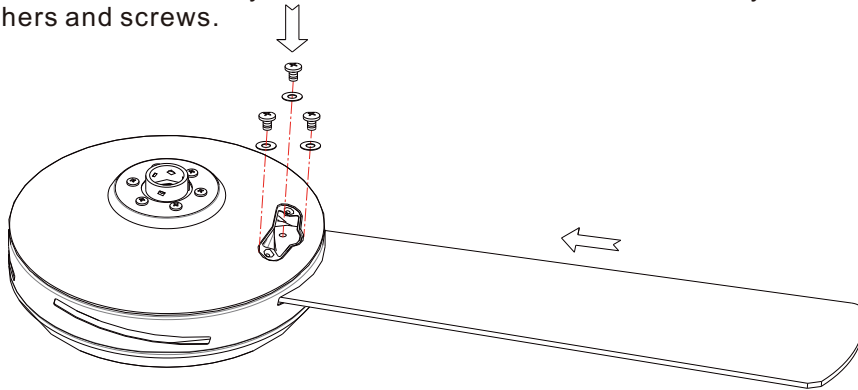
For angled ceilings, point the mounting bracket opening toward peak.

4. Assembly blade

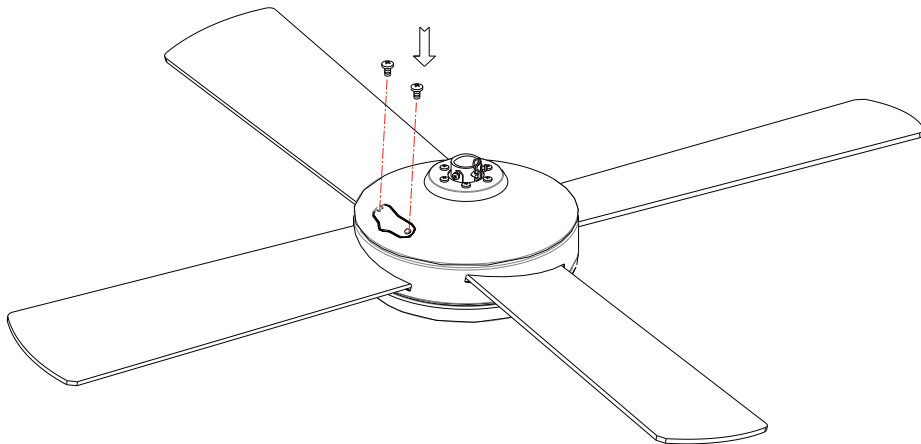
1) Unscrew 2 screws of upper housing, take out the small cover from the upper housing of motor assembly.



2) Insert the blade to motor assembly, align the blade holes to bracket holes of motor assembly, secure each blade to motor assembly with washers and screws.



3) After installed blades, install back small cover to upper housing of motor assembly by using 2 screws just removed.

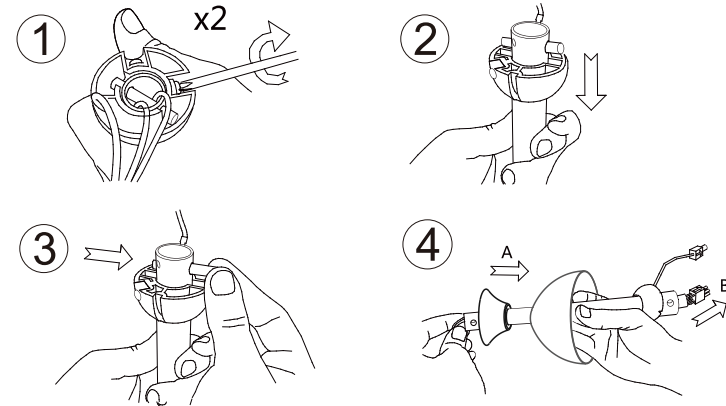


5. Downrod, Canopy & Coupling cover installation

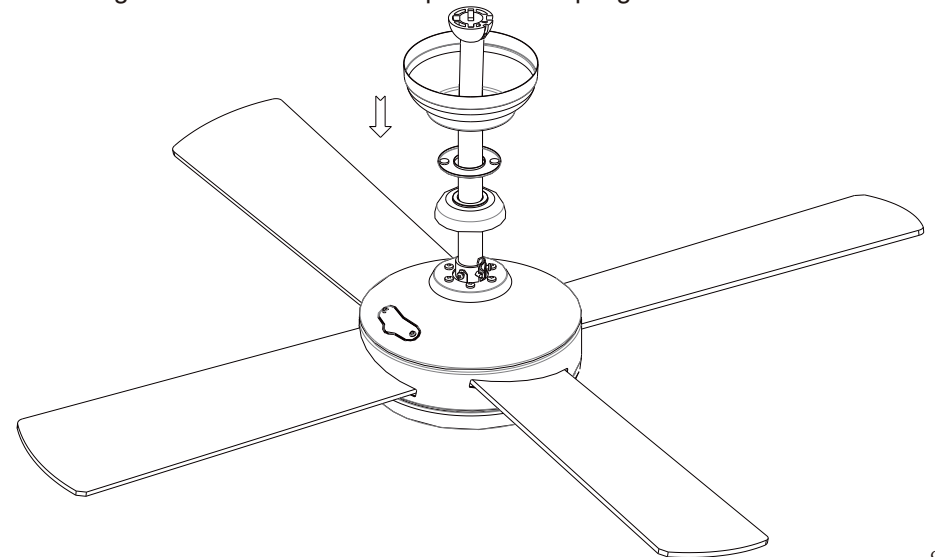
Downrod selection

- 1) Select right downrod according to the height of ceiling;
- 2) This fan attach 5 & 10 inches downrod, If it doesn't fit for you, please contact our company to purchase other size;

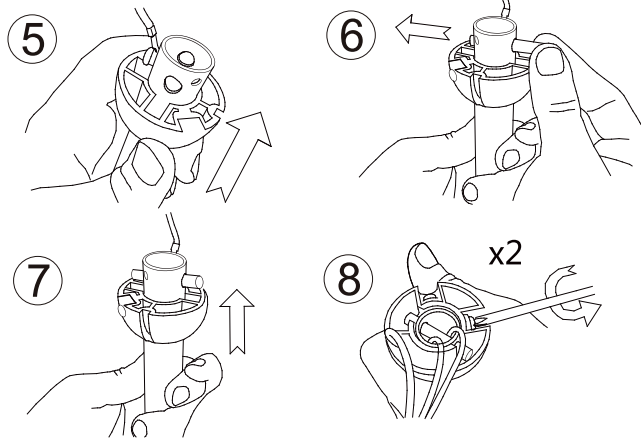
Steps 1-4 to remove the bolt of downrod and feeding wires to downrod from motor.



- 3) Take off the locking pin, bolt and two fixing screws from coupler;
- 4) Let the downrod across the canopy, magnet ring and coupling cover in right direction, then put the power cord through downrod;
- 5) Put the downrod into coupler; insert the bolt and locking pin. Lock the fixing screw and cover the coupler with coupling cover.

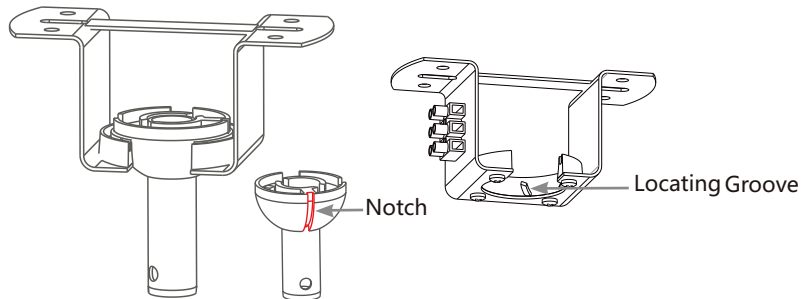


Steps 5–8 to re-assembly the hanger-ball to the downrod.

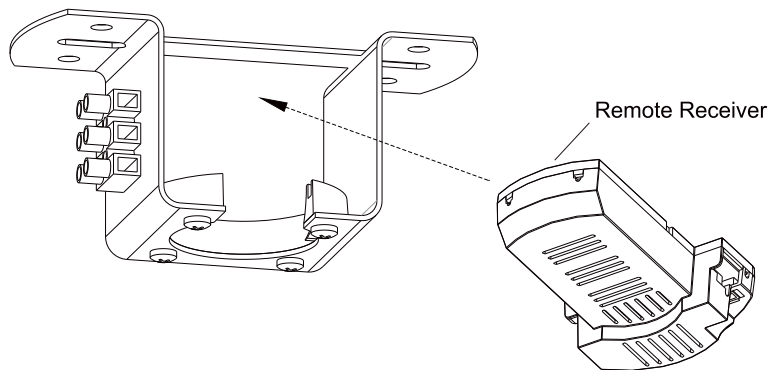


6. Fan mounting

- 1) Hang the fan motor assembly on the mounting bracket, ensure the ball joint locating the groove aligns with notch on the mounting bracket.

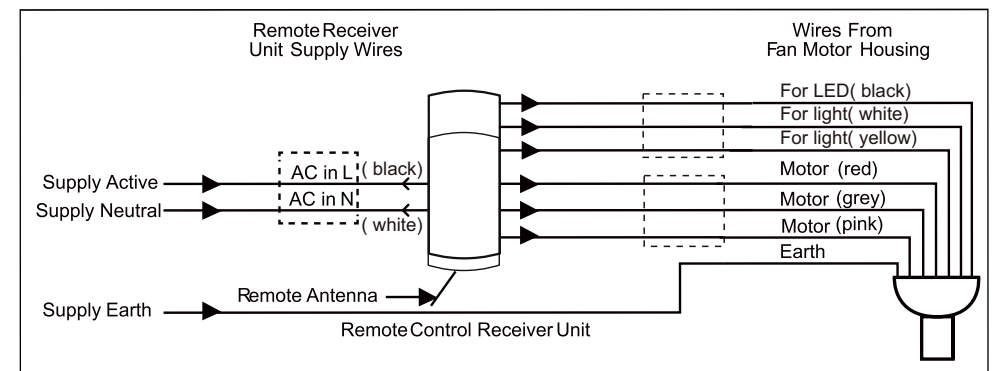
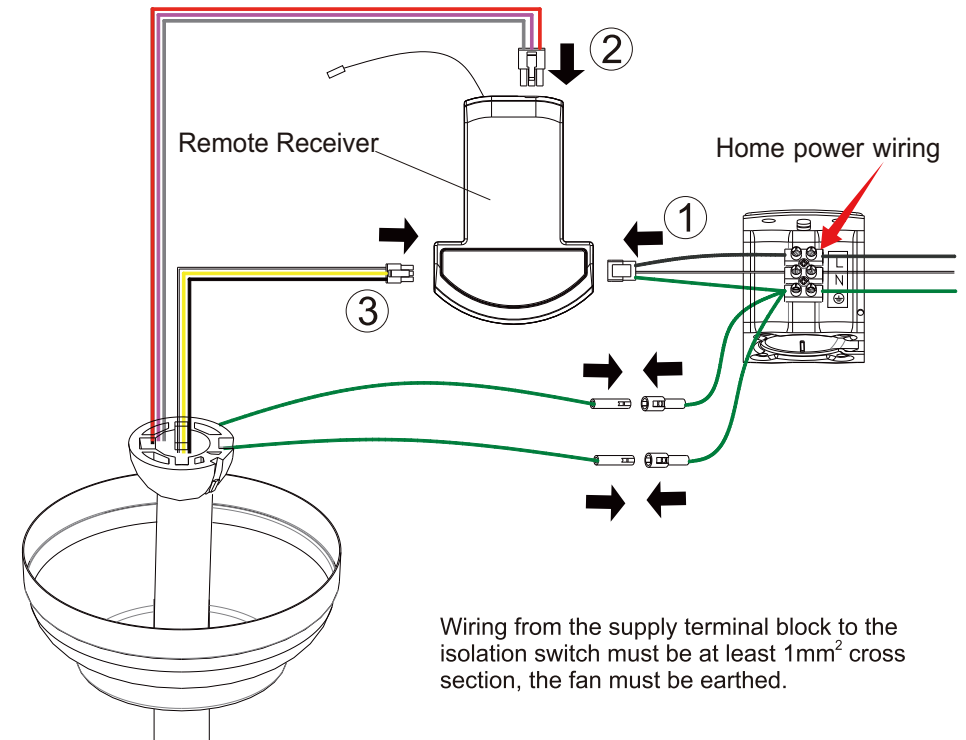


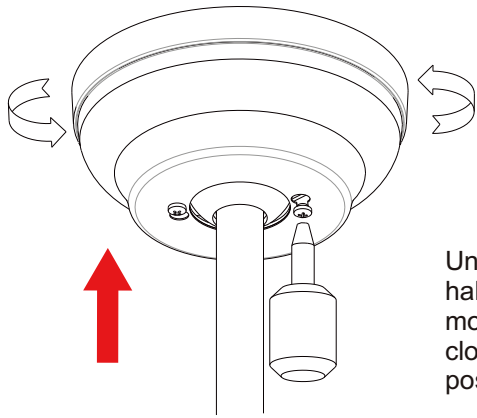
- 2) Slide the remote receiver unit into the slot on the mounting bracket as show in the figure as below..



7. Power supply wire connection

Connect quick connectors as figure showed.

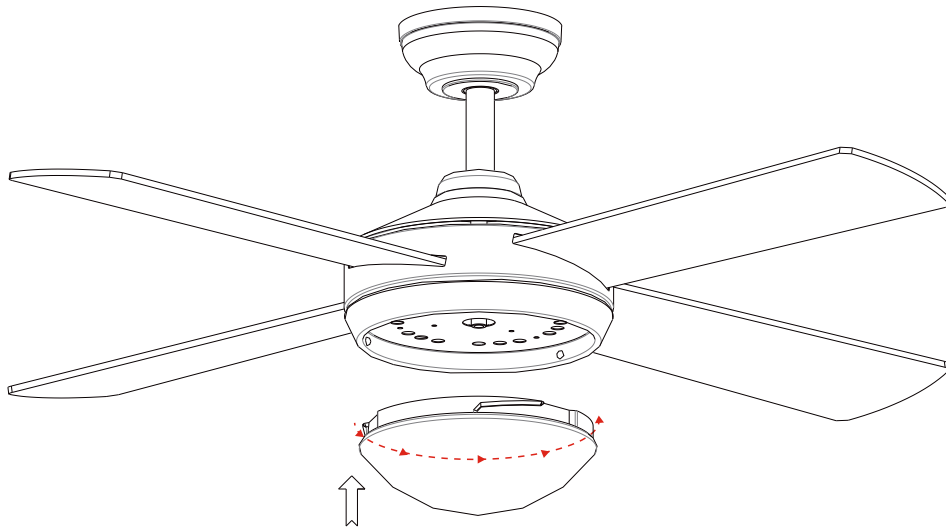




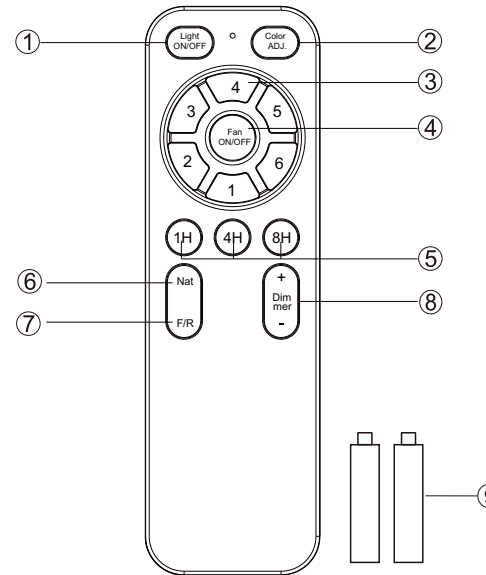
Unscrew the 2 top canopy fixing screws halfway, attach at the bottom of the mounting bracket, turn the canopy clockwise until fixing screw lock into position and then fasten the screws.

8. Install light shade

Carefully install the supplied LED light shade by turning it clockwise until it locks in place.



9. Remote controller operation



1. Turn ON/OFF the Light or Matching code.
2. Adjust the Light's color temperature. (When the Light is on.)
3. Turn OFF the Fan.
4. Turn ON the Fan and choose Fan's speed.
5. Short press to activate 1H/4H/8H timer of the Fan. Long press 1H/4H/8H to cancel timer.
6. Short press to Activate the Natural wind MODE.
7. Long press 2 seconds for switch the Fan to forward or reverse.
8. Turn UP/DOWN the Light's brightness. (When the Light is on.)
9. BATTERY: 1.5V x 2 AAALR03.

KINDLY REMINDERS:

1. If the emitter can not control the fan, learning code matching mode is used between emitter and receiver. Turn "ON" the supply power within 30 seconds and press the emitter's "1" button for 5 seconds, it can load normally after hearing a long sound "bee", which means learning successfully and it can works normally. (PS: Learning mode is not accepted after turn "ON" the supply power for 30 seconds)
2. When the emitter cannot control the receiver, please check the battery switch touching normally or not, correction of the positive and negative, full or empty of the power.
3. When the emitter cannot control the receiver, please check is there any existence of similar remote controlled products nearby, then check whether they works, because remote controlled product with the same frequency will disturb each other.
4. Low voltage of battery will affect the sensitivity of the emitter and the signal reception accordingly (the indicated light will flash out its warning when the battery get low voltage), must replace if the battery is getting low voltage.
5. Please take out the battery from the emitter when leaving unused for long time.
6. Supporting 140W lighting power at maximum.
PS: please connect the ground wire correctly, otherwise it may cause the light micro-light or flash
7. When installing the fan, the fan ceiling cover don't press the antenna (or other wire), it is easy to breakdown the wire and short-circuited.

NOTE 1: A beep will be heard when a function is activated.

NOTE 2: The motor does not react instantaneously to changes made by the handset. Be patient and allow the motor to process the instruction when changing functions.

NOTE 3: The remote control includes a memory function. This function records the status when power has been disconnected to allow resumption when power is restored.

NOTE 4: Remove the battery from the transmitter handset when left unused for extended periods.

NOTE 5: To change the direction of rotation for S/W function the fan needs to be turned OFF & ON for setting to take effect.

NOTE 6: Only 1 remote can be paired with a given fan at any time.

NOTE 7: If the power supply is turned OFF and back ON the light will come on automatically, use the remote to turn the light OFF.

PAIRING MORE THAN ONE FAN:

when more than 1 fan is installed e.g. FAN A & FAN B, and pairing is required each fan needs to be paired separately. Follow the steps given below to pair the fans:

1. To pair turn the power ON to one fan only e.g. FAN A and within 30 seconds of turning ON the power to the fan "A", press and hold the FAN ON/OFF button on the transmitter "A" for 5 seconds. When a long beep is heard the fan is paired.

2. Turn OFF the supply to FAN "A" which is paired, and turn ON the supply to the other fan, FAN "B", repeat steps C & D to pair it, to transmitter "B".

INFORMATION FOR LICENSED ELECTRICIAN AND FAN OWNERS

Please read fault finder before calling customer service centre.

1. Fan Will Not Start

- Check that mains circuit breakers are in the ON position.
- Check that isolation wall switch is in the ON position.
- Check that batteries in the remote handset (if any) are in good condition.
- Carry out and complete remote transmitter and receiver pairing process.
- Check that live, neutral, ground and light (if any) wires from isolation wall switch, remote receiver (if any) through to fan are all wired correctly in accordance with wiring diagram.
- Check that all wire connections at wall switch, wire connector and/or terminal block are secured (not loosened).

2. Fan Sounds Noisy

- Fully tighten light fitting (version with light)
- Re-tighten all screws on fan blades (do not over tighten)
- Re-tighten all screws in the hanging bracket and covering plate

3. Mechanical Noise

- Let the fan run for about 8 hours for settling in period.

4. Fan Turns But Does Not Move Much Air

- The fan may be running in reverse (for fans with reverse running option)
- The distance from the ceiling to the fan blades is too small
- The room may contain items which obstruct the air flow
- The fan may be too small for the size of the room

5. Fan Wobbles

Check for wobble after each step

- Check that all blade brackets are tightened securely
- Most wobble problems result from inconsistent blade level. To check blade level, measure the distance from each blade tip to the ceiling. If measurements are inconsistent, adjustments of brackets will be required.
- Wobble problem could also result from deviations in distance from blade to blade. To check blade separation, measure the distance from blade tip to blade tip. Should measurements vary, loosen screws connecting blades and brackets (one at a time) then shift the blade to proper position and re-tighten screws.

IMPORTANT FACTS

All electric motors, including fan motors make some noise and may feel hot to touch, this is not a fault. Ceiling fans tend to move during operation as they are not generally rigid-mounted. Rigid mounted ceiling fans generate excessive vibration and stress on their mountings.

Movement of a couple of centimeters is quite normal and does not suggest the fan will fall down.

Please note - all ceiling fans are not the same, even in the same model some may move more or less than others.

Fan lights can rattle, if they are not supplied with the fan. They are not covered by warranty.

Fan Operation

A ceiling fan is an environmentally smart choice when it comes to cooling as well as helping to warm your room. You should see a reduction in both cooling and heating costs by regular use of your fans. Do not hesitate to use your fans in both summer and winter months.

In summer fans should be set to spin in anti clockwise direction blowing down cool breeze.

In winter, fan should be set to spin in clockwise direction so that an upward airflow will push warm air off the ceiling and circulate it downwards into the living areas. In winter months use the fan on a lower speed than in summer.

Normal Wear And Tear

Threaded components working slightly loose, or blade carriers becoming slightly bent due to vigorous cleaning or bumping can cause extra wobble and noise. This is not covered under warranty, but a little care and maintenance can reduce or prevent this problem.

Night Noises

This is the biggest cause of service calls, which are outside the manufacturer's warranty. If a fan has a fault it will be noticeable at all times. Naturally when everything is quiet at night you will be more inclined to hear small noises, which may not be noticeable at other times. Even slight signals super imposed in your electricity supply for off peak hot water control may cause a change in the fan motor noise. This is normal.